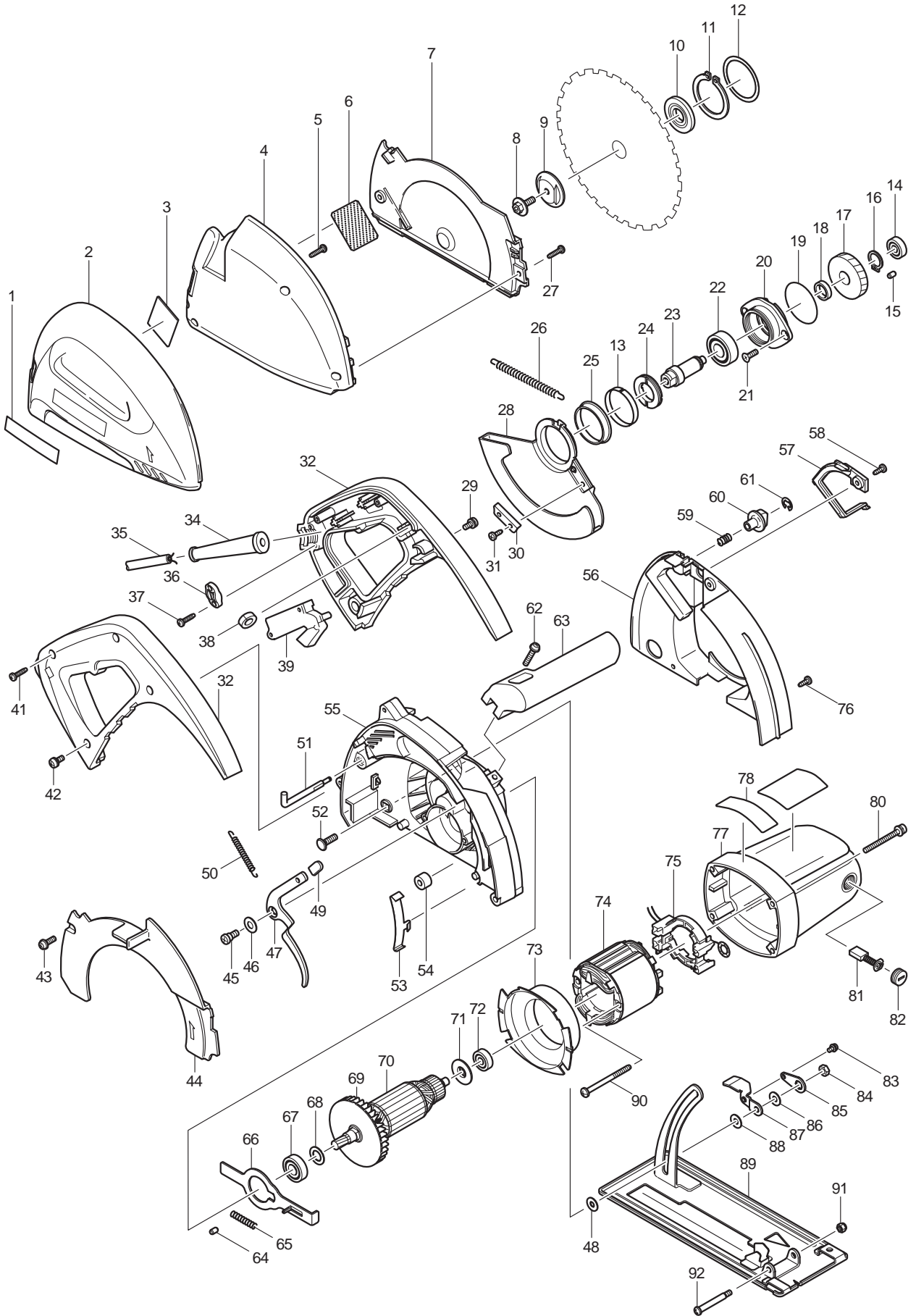




02 - 2010

4131

7-1/4" METAL CUTTER



Item No	Type	Ref	Part No	Description	Qty	Unit
1			819064-1	MAKITA MARK	1	PC.
2			183836-3	DUST CASE COVER	1	PC.
		INC.		Item No. 1		
3			431005-3	HEAT RESISTING GLASS	1	PC.
4			317776-5	DUST CASE	1	PC.
5			265995-6	TAPPING SCREW 4X18	2	PC.
6			343760-4	PUNCHING METAL COVER	1	PC.
7			317777-3	DUST PLATE	1	PC.
8	1		266226-6	HEX. SOCKET HEAD BOLT M6X18	1	PC.
	2		266458-5	HEX.SOCKET HEX.BOLT M6X18	1	PC.
9			224366-6	OUTER FLANGE 40	1	PC.
10			224151-7	INNER FLANGE 40	1	PC.
11			961201-4	RETAINING RING S-42	1	PC.
12			267784-5	WASHER 42	1	PC.
13			343759-9	THICKNESS RING	1	PC.
14			211031-6	BALL BEARING 608LLB	1	PC.
15			263002-9	RUBBER PIN 4	1	PC.
16			961055-9	RETAINING RING S-15	1	PC.
17			226591-5	HELICAL GEAR 48	1	PC.
18			257053-2	RING 15	1	PC.
19			213621-1	O RING 46	1	PC.
20			316579-4	BEARING BOX	1	PC.
21			251372-8	+ COUNTERSUNK HEAD SCREW M5X12	2	PC.
22			211228-7	BALL BEARING 6202DDW	1	PC.
23			324475-2	SPINDLE	1	PC.
24			285807-7	BEARING RETAINER 22-36	1	PC.
25			345422-0	SPACER	1	PC.
26			231828-7	TENSION SPRING 4	1	PC.
27			265995-6	TAPPING SCREW 4X18	2	PC.
28			317775-7	SAFETY COVER	1	PC.
29			911213-7	PAN HEAD SCREW M5X12	2	PC.
30			344944-7	SUB PLATE	1	PC.
31			266026-4	TAPPING SCREW BIND CT 4X12	1	PC.
32			183826-6	HANDLE SET	1	SET
34			682503-2	CORD GUARD 8-90	1	PC.
35			664265-4	CORD WITH PLUG 2P-16-2.5M SJ	1	PC.
36			687063-9	CORD CLAMP	1	PC.
37			265995-6	TAPPING SCREW 4X18	2	PC.
38			421492-4	SPONGE RING	1	PC.
39			651057-0	SWITCH TG71CL-2	1	PC.
41			265995-6	TAPPING SCREW 4X18	2	PC.
42			911213-7	PAN HEAD SCREW M5X12	2	PC.
43			911223-4	PAN HEAD SCREW M5X16	1	PC.
44			317778-1	BLADE COVER	1	PC.
45			251267-5	+ PAN HEAD SCREW H6	1	PC.
46			941201-0	FLAT WASHER 8	1	PC.
47			345421-2	OPEN LEVER	1	PC.
48	2		253783-3	FLAT WASHER 6	1	PC.
49			421903-9	RUBBER CAP	1	PC.
50			231823-7	TENSION SPRING 4	1	PC.
51			324476-0	HOOK	1	PC.
52			266031-1	CAP SQUARE NECK BOLT M6X20	1	PC.
53			343758-1	PROTECTOR	1	PC.

Item No	Type	Ref	Part No	Description	Qty	Unit
54			262511-5	RUBBER SLEEVE 6	1	PC.
55			153924-0	GEAR HOUSING COMPLETE	1	PC.
		INC.		Item No. 15,64		
56			418612-9	GEAR HOUSING COVER	1	PC.
57			418613-7	LEAD COVER	1	PC.
58			266026-4	TAPPING SCREW BIND CT 4X12	1	PC.
59			231402-1	COMPRESSION SPRING 7	1	PC.
60			271421-5	THUMB PIPE 23	1	PC.
61			961017-7	STOP RING E-3	1	PC.
62			911243-8	PAN HEAD SCREW M5X25	2	PC.
63			415469-9	GRIP	1	PC.
64			263002-9	RUBBER PIN 4	1	PC.
65			233092-6	COMPRESSION SPRING 5	1	PC.
66			343832-5	SHAFT LOCK	1	PC.
67			211131-2	BALL BEARING 6001DDW	1	PC.
68			253744-3	FLAT WASHER 12	1	PC.
69			241876-8	FAN 76	1	PC.
70			513576-3	ARMATURE ASS'Y 115V	1	PC.
		INC.		Item No. 67-69,71,72		
71			681634-4	INSULATION WASHER	1	PC.
72			211031-6	BALL BEARING 608LLB	1	PC.
73			415467-3	BAFFLE PLATE	1	PC.
74			634511-9	FIELD 115V	1	PC.
75			638358-3	SUPPORT COMPLETE	1	PC.
76			266026-4	TAPPING SCREW BIND CT 4X12	3	PC.
77			159685-0	MOTOR HOUSING COMPLETE	1	PC.
		INC.				
78			643754-2	BRUSH HOLDER	2	PC.
79			816816-1	INDICATION LABEL	1	PC.
80			911263-2	PAN HEAD SCREW M5X40	4	PC.
81	1		191963-2	CARBON BRUSH CB-303 2PC/SET (W/O ORIGIN) -N/L/A	1	SET
81	2		194996-6	CARBON BRUSH CB-303 2PC/SET (W/ ORIGIN)	1	SET
82			643750-0	BRUSH HOLDER CAP	2	PC.
83			911108-4	PAN HEAD SCREW M4X8	1	PC.
84			252135-5	HEX. NUT	1	PC.
85			341718-7	LOCK PLATE	1	PC.
86			253804-1	FLAT WASHER 6	1	PC.
87			342907-7	LEVER PLATE	1	PC.
88			253804-1	FLAT WASHER 6	1	PC.
89			165387-8	BASE	1	PC.
90			266029-8	TAPPING SCREW 5X65	2	PC.
91			252103-8	HEX. LOCK NUT M5-8	1	PC.
92			265075-8	+ PAN HEAD SCREW H5	1	PC.
93			410047-0	WRENCH HOLDER 5.6	1	PC.
100			654020-2	RING TERMINAL (F/ Item No. 75)	2	PC.
101			654501-6	CONNECTOR P-1.25 (F/ Item No. 75)	2	PC.
ACCESSORIES			- See Catalogue or visit www.makita.ca for more accessories -			
A01			192219-6	SAFETY GOGGLE	1	PC.
A02			783203-8	HEX. WRENCH 5	1	PC.
A03			A-93815	7-1/4" CERMET SAW BLADE 36 TEETH	1	PC.
	Opt		A-93837	7-1-4" C.T. SAW BLADE 48 TEETH	1	PC.
	Opt		A-93843	7-1/4" C.T. SAW BLADE 70 TEETH	1	PC.
A04			A-95875	7-1/4" CT BLADE 64T 5/8" F/METAL, STAINLESS STEEL	1	PC.